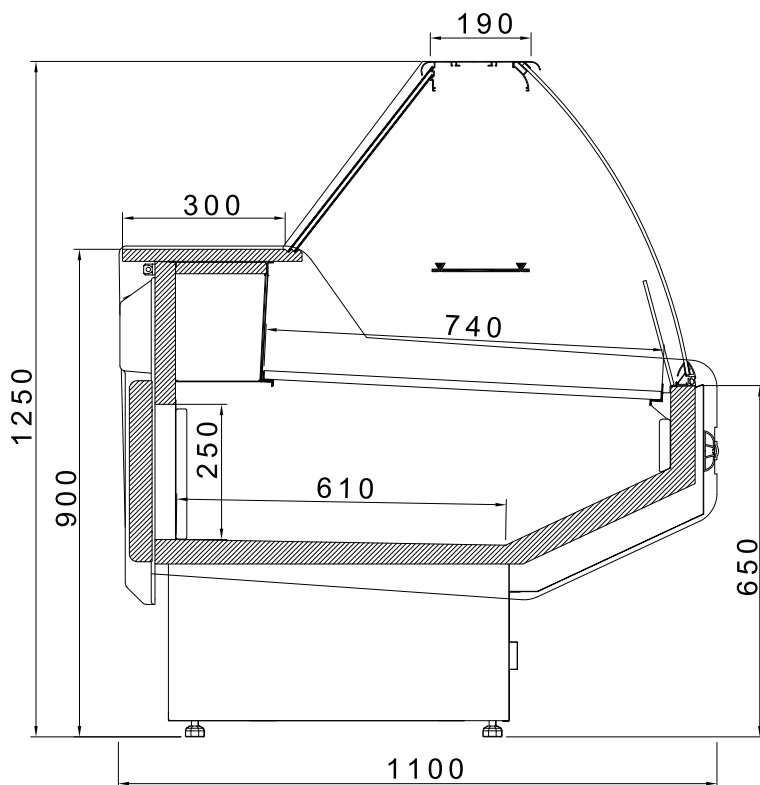
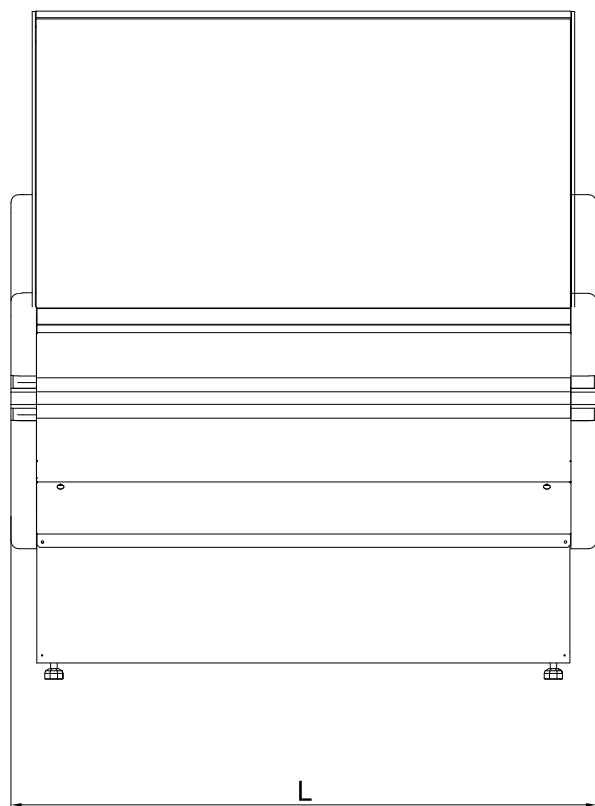




Modena 1100 G

• REFRIGERATED COUNTER •

APPLIANCE TECHNICAL DRAWING



L=1080/1330/1580/2080/2580/3080/3830